

# SPIROTECH SPECIFICATION SHEET



Product: SpiroVent Superior  
Customer:   
Project:   
Reference:

Type: S10A-R  
Article Number: MA10R50W  
UK name: SV4-10R  
Date: 9/8/2021

## Design criteria

Medium:	Water / glycol (max 40%)
Max system volume:	300 m <sup>3</sup>
Min. Pressure:	5 bar-g
Max. pressure:	10 bar-g
Min. Temperature:	0 °C
Max. temperature:	90 °C
Ambient temperature:	0-40 °C
Refill fluid temperature:	0-70 °C
Main pump:	Vertical multistage

## Connections (flexible)

Inlet / outlet:	G3/4"
Refill:	G3/4"

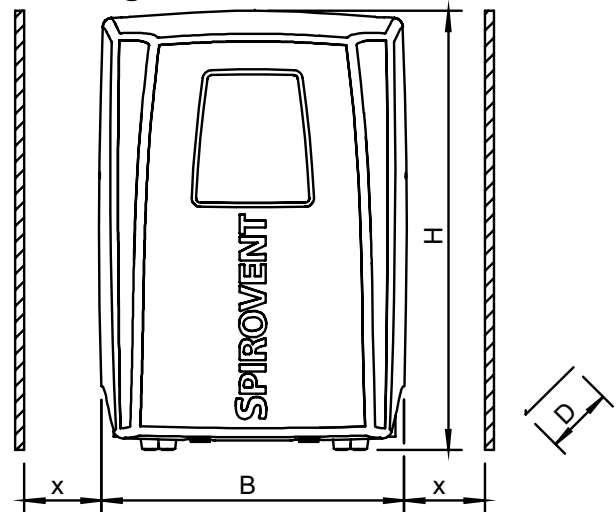
## Testing and quality assurance

Running test:	yes
Test medium:	Water
High voltage test:	yes
Test certificate:	no
CE-marking:	yes
Material certificates (structural parts):	no

## Construction materials

Vessel:	S235 (St. 37)
Fittings / pipes:	Copper / Bronze / Brass
Pump:	AISI316
Deaeration cap:	Brass
Valve sealing:	Viton
Float:	PP
Casing:	Synthetic (PS)
Color:	Yellow (RAL 1003)

## Drawing



## Dimensions

H:	1272 mm
B:	744 mm
D:	400 mm
x:	>600 mm
Dry weight (approx):	79 kg

## Power supply

Voltage:	400V / 50Hz
Power consumption:	1.15 kW
Protection level:	IPX4D

## B.M.S. Contacts

Release / off:	24 VAC
Ready & failure:	Voltage free
Refill:	24 VAC
Remote refill:	5 VDC

Subject to changes