

SPIROTECH SPECIFICATION SHEET



Product: SpiroVent Superior
 Customer:
 Project:
 Reference:

Type: S600
 MV06A50I
 Date: 6/17/2020

Design criteria

Medium: Water / glycol (max 40%)
 Processing Capacity: 1000 l/h
 Max system volume: 325 m³
 Min. Pressure: 2.5 bar-g
 Max. pressure: 6 bar-g
 Min. Temperature: 0 °C
 Max. temperature: 90 °C
 Ambient temperature: 0-40 °C
 Main pump: Multistage centrifugal

Connections (flexible)

Inlet / outlet: G3/4"

Testing and quality assurance

Running test: yes
 Test medium: Water
 High voltage test: yes
 Test certificate: no
 CE-marking: yes
 Material certificates (structural parts): no

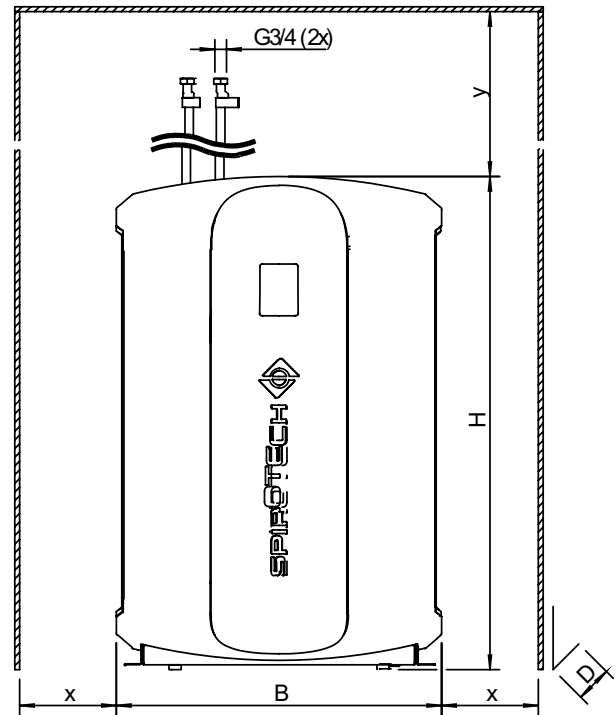
Construction materials

Vessel: S235 JRG2
 Fittings / hoses: Brass / EPDM
 Pump: AISI304/Coated cast iron
 Deaeration cap: Brass
 Valve sealing: Viton
 Float: PP
 Casing: Synthetic (PS and EPP)
 Insulation: Armaflex AF2-22
 Color: Yellow (RAL 1003) and black

Interface

Touch screen: yes
 Wired LAN: yes
 Wifi: option
 Remote monitoring and control: yes
 Data encryption: yes

Drawing



Dimensions

H: 1020 mm
 B: 673 mm
 D: 360 mm
 x: >600 mm
 y: >600 mm
 Dry weight (approx): 63.3 kg
 Noise level: 57 db(A)

Power supply

Voltage: 230V / 50Hz
 Power consumption: 0.8 kW
 Protection level: IP44

B.M.S. Contacts

Boiler interlock: Voltage free
 Common fault: Voltage free
 Communication: RS485

Subject to changes