

# SPIROTECH SPECIFICATION SHEET



Product: SpiroVent Superior /Insulated  
 Customer:   
 Project:   
 Reference:

Type: S600-I  
 MV06A60I  
 Date: 2/16/2023

## Design criteria

Medium:	Water / glycol (max 40%)
Processing Capacity:	1000 l/h
Max system volume:	325 m <sup>3</sup>
Min. Pressure:	2.5 bar-g
Max. pressure:	6 bar-g
Min. Temperature:	0 °C
Max. temperature:	90 °C
Ambient temperature	0-40 °C
Main pump:	Multistage centrifugal

## Connections (flexible)

Inlet / outlet: G3/4"

## Testing and quality assurance

Running test:	yes
Test medium:	Water
High voltage test:	yes
Test certificate:	no
CE / UKCA marking:	yes
Material certificates (structural parts):	no

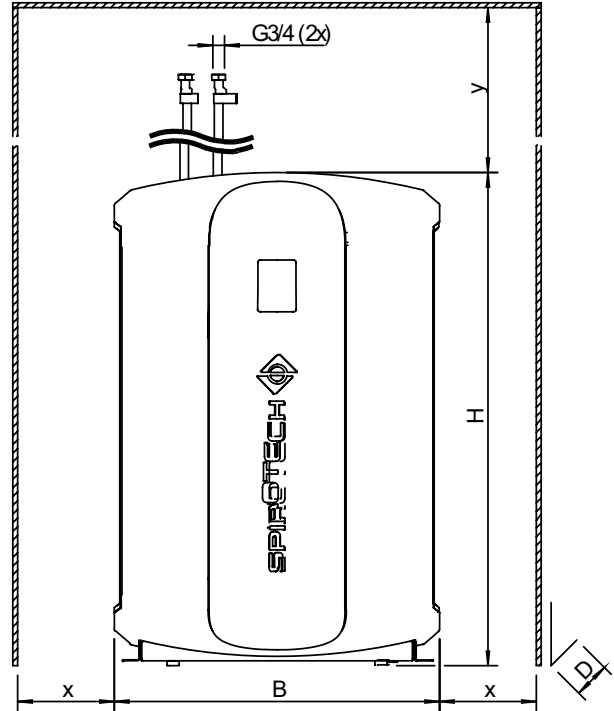
## Construction materials

Vessel:	S235 JRG2
Fittings / hoses:	Brass / EPDM
Pump:	AISI304/Coated cast iron
Deaeration cap:	Brass
Valve sealing:	Viton
Float:	PP
Casing:	Synthetic (PS and EPP)
Insulation:	Armaflex AF2-22
Color:	Yellow (RAL 1003) and black

## Interface

Touch screen:	yes
Wired LAN	yes
Wifi:	yes
Remote monitoring and control:	yes
Data encryption:	yes

## Drawing



## Dimensions

H:	1020 mm
B:	673 mm
D:	360 mm
x:	>600 mm
y:	>600 mm
Dry weight (approx):	61.8 kg
Noise level:	57 db(A)

## Power supply

Voltage:	230V / 60Hz
Power consumption:	0.8 kW
Protection level	IP44

## B.M.S. Contacts

Boiler interlock:	Voltage free
Common fault:	Voltage free
Communication:	RS485

Subject to changes